



Refrigerated Showcases

Models RS-CN-0390, 0260
Items 47514, 47515

Instruction Manual



Revised - 09/23/2022



Toll Free: 1-800-465-0234
Fax: 905-607-0234
Email: service@omcan.com
www.omcan.com

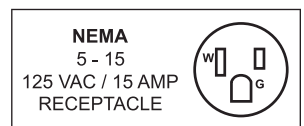


Table of Contents

Model RS-CN-0390 / Model RS-CN-0260

Section	Page
Disclaimer -----	3
General Information -----	4 - 5
Safety and Warranty -----	5 - 7
Technical Specifications -----	8
Operation -----	8 - 9
Maintenance -----	9 - 10
Troubleshooting -----	10 - 11
Parts Breakdown -----	12 - 15
Electrical Schematics -----	16
Notes -----	17 - 18
Warranty Registration -----	19

OMCAN IS NOT RESPONSIBLE FOR DIMINISHED COOLING OR ANY DAMAGES DUE TO WATER LEAKS. WARRANTY IS VOID IF THE AMBIENT ROOM TEMPERATURE EXCEEDS 75°F AND 55% RELATIVE HUMIDITY, AND THE APPLIANCE DRAIN IS NOT CONNECTED DIRECTLY TO A FLOOR DRAIN.

General Information

Omcan Manufacturing and Distributing Company Inc., Food Machinery of America, Inc. dba Omcan and Omcan Inc. are not responsible for any harm or injury caused due to any person's improper or negligent use of this equipment. The product shall only be operated by someone over the age of 18, of sound mind, and not under the influence of any drugs or alcohol, who has been trained in the correct operation of this machine, and is wearing authorized, proper safety clothing. Any modification to the machine voids any warranty, and may cause harm to individuals using the machine or in the vicinity of the machine while in operation.

CHECK PACKAGE UPON ARRIVAL

Upon receipt of an Omcan shipment please inspect for external damage. If no damage is evident on the external packaging, open carton to ensure all ordered items are within the box, and there is no concealed damage to the machine. If the package has suffered rough handling, bumps or damage (visible or concealed), please note it on the bill of lading before accepting the delivery and contact Omcan within 24 hours, so we may initiate a claim with the carrier. A detailed report on the extent of the damage caused to the machine must be filled out within three days, from the delivery date shown in the shipping documents. Omcan has no recourse for damaged products that were shipped collect or third party.

Before operating any equipment, always read and familiarize yourself with all operation and safety instructions.

Omcan would like to thank you for purchasing this machine. It's of the utmost importance to save these instructions for future reference. Also save the original box and packaging for shipping the equipment if servicing or returning of the machine is required.

Omcan Fabrication et distribution Compagnie Limitée et Food Machinery d'Amérique, dba Omcan et Omcan Inc. ne sont pas responsables de tout dommage ou blessure causé du fait que toute personne ait utilisé cet équipement de façon irrégulière. Le produit ne doit être exploité que par quelqu'un de plus de 18 ans, sain d'esprit, et pas sous l'influence d'une drogue ou d'alcool, qui a été formé pour utiliser cette machine correctement, et est vêtu de vêtements de sécurité appropriés. Toute modification de la machine annule toute garantie, et peut causer un préjudice à des personnes utilisant la machine ou des personnes à proximité de la machine pendant son fonctionnement.

VÉRIFIEZ LE COLIS DÈS RÉCEPTION

Dès réception d'une expédition d'Omcan veuillez inspecter pour dommages externes. Si aucun dommage n'est visible sur l'emballage externe, ouvrez le carton afin de s'assurer que tous les éléments commandés sont dans la boîte, et il n'y a aucun dommage dissimulé à la machine. Si le colis n'a subi aucune mauvaises manipulations, de bosses ou de dommages (visible ou cachée), notez-le sur le bond de livraison avant d'accepter la livraison et contactez Omcan dans les 24 heures qui suivent, pour que nous puissions engager une réclamation auprès du transporteur. Un rapport détaillé sur l'étendue des dommages causés à la machine doit être rempli dans un délai de trois jours, à compter de la date de livraison indiquée dans les documents d'expédition. Omcan n'a aucun droit de recours pour les produits endommagés qui ont été expédiés ou cueilli par un tiers transporteur.



General Information

Avant d'utiliser n'importe quel équipement, toujours lire et vous familiariser avec toutes les opérations et les consignes de sécurité.

Omcan voudrais vous remercier d'avoir choisi cette machine. Il est primordial de conserver ces instructions pour une référence ultérieure. Également conservez la boîte originale et l'emballage pour l'expédition de l'équipement si l'entretien ou le retour de la machine est nécessaire.

Omcan Empresa De Fabricacion Y Distribucion Inc. Y Maquinaria De Alimentos De America, Inc. dba Omcan y Omcan Inc. no son responsables de ningun daño o perjuicio causado por cualquier persona inadecuada o el uso descuidado de este equipo. El producto solo podra ser operado por una persona mayor de 18 años, en su sano juicio y no bajo alguna influencia de droga o alcohol, y que este ha sido entrenado en el correcto funcionamiento de esta máquina, y ésta usando ropa apropiada y autorizada. Cualquier modificación a la máquina anula la garantía y puede causar daños a las personas usando la máquina mientras esta en el funcionamiento.

REVISE EL PAQUETE A SU LLEGADA

Tras la recepcion de un envio Omcan favor inspeccionar daños externos. Si no hay daños evidentes en el empaque exterior, Habra el carton para asegurarse que todos los articulos solicitados estén dentro de la caja y no encuentre daños ocultos en la máquina. Si el paquete ha sufrido un manejo de poco cuidado, golpes o daños (visible o oculto) por favor anote en la factura antes de aceptar la entrega y contacte Omcan dentro de las 24 horas, de modo que podamos iniciar una reclamación con la compañía. Un informe detallado sobre los daños causados a la máquina debe ser llenado en el plazo de tres días, desde la fecha de entrega que se muestra en los documentos de envío. Omcan no tiene ningun recurso por productos dañados que se enviaron a recoger por terceros.

Antes de utilizar cualquier equipo, siempre lea y familiarizarse con todas las instrucciones de funcionamiento y seguridad.

Omcan le gustaría darle las gracias por la compra de esta máquina. Es de la mayor importancia para salvar estas instrucciones para futuras consultas. Además, guarda la caja original y el embalaje para el envío del equipo si servicio técnico o devolución de la máquina que se requiere.

Safety and Warranty

HANDLING AND INSTALLATION

Handle with care Unplug from the wall socket before moving. Never tilt the refrigerator over 45 degrees during handling.	Storage Always store the refrigerator in a dry place.
--	---

Safety and Warranty

<p>Sufficient space To allow for proper air circulation and increased refrigeration capabilities, the refrigerator must have at least 4"/10cm of space between wall/ceiling and the machine.</p>	<p>Proper ventilation Always place the refrigerator in an area with good ventilation. For first time use, set in location and wait at least 2 hours before plugging into wall socket.</p>
<p>Away from heat source Never place the refrigerator near any type of heat source or in direct sunlight, as it reduces refrigeration capabilities.</p>	<p>No heavy load Never put heavy items on top of the refrigerator.</p>
<p>No altercations/tampering Never tamper with or make changes to the refrigerator. Changes and add-ons should not be installed to the inside or outside of the refrigerator.</p>	<p>Stable location Unpack and place the refrigerator on flat, solid ground.</p>

PREPARATION AND POWER SUPPLY

<p>Exclusive power outlet Power supply should be 110V, single phase AC with exclusive single phase three pin outlet (125V/15A). The power outlet must be in close proximity to the ground.</p>	<p>No shared power outlets Refrigerator cable should never share the power outlet with any other appliance, as cable will overheat and may result in a fire.</p>
<p>Protect cables Extra caution should be used when handling cables, as broken or damaged cables can cause sparking and may result in a fire.</p>	<p>No water flushing Never flush the refrigerator surface. This can cause leakage, which may result in electrical damage or fire.</p>
<p>Never store flammables and explosives No explosives or flammables should be stored in, or in proximity to, the refrigerator, such as gasoline, alcohol, and adhesives.</p>	<p>No spray Never spray flammables such as paint or coating near the refrigerator. This may cause fire or malfunction.</p>
<p>After power outage After a power outage or the unplugging of the refrigerator, wait at least 5 minutes before plugging it back in.</p>	<p>No medicine Medicine should not be stored inside of the refrigerator.</p>

SUITABLE FOR HIGH TRAFFIC AREAS WHERE NOISE LEVELS ARE NOT A CONCERN.

OMCAN IS NOT RESPONSIBLE FOR DIMINISHED COOLING OR ANY DAMAGES DUE TO WATER LEAKS. WARRANTY FOR WATER LEAKS IS VOID IF THE AMBIENT ROOM TEMPERATURE EXCEEDS 75°F AND 55% RELATIVE HUMIDITY, AND THE APPLIANCE DRAIN IS NOT CONNECTED DIRECTLY TO A FLOOR DRAIN.

RESIDENTIAL USERS: Vendor assumes no liability for parts or labor coverage for component failure or other damages resulting from installation in non-commercial or residential applications. The right



Safety and Warranty

is reserved to deny shipment for residential usage; if this occurs, you will be notified as soon as possible.

1 YEAR PARTS AND LABOUR WARRANTY

Within the warranty period, contact Omcan Inc. at 1-800-465-0234 to schedule an Omcan authorized service technician to repair the equipment locally.

Unauthorized maintenance will void the warranty. Warranty covers electrical and part failures not improper use.

Please see <https://omcan.com/disclaimer> for complete info.

WARNING:

The packaging components are classified as normal solid urban waste and can therefore be disposed of without difficulty.

In any case, for suitable recycling, we suggest disposing of the products separately (differentiated waste) according to the current norms.

DO NOT DISCARD ANY PACKAGING MATERIALS IN THE ENVIRONMENT!

Technical Specifications

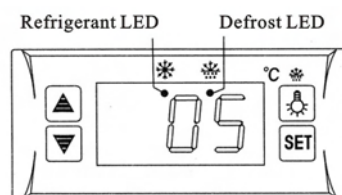
Model	RS-CN-0390	RS-CN-0260
Capacity	390 L / 13.77 cu.ft.	260 L / 9.18 cu.ft.
Material	Stainless Steel	
Compressor Power	3/4 HP	
Rated Current	6.7A	
Refrigerant	R290 / 148g	
Temperature Range	0 - 12°C / 32 - 53.6°F	
Max Ambient Temp Rating	24°C / 75°F	
Electrical Heating Element	450 W	
Lamp Power	5 W	
Number of Shelves	3	
Electrical	110V / 60Hz / 1Ph	
Dimensions	36.2" x 33.3" x 59.4" 920 x 847 x 1510mm	28.2" x 32.8" x 59.4" 717 x 834 x 1510mm
Weight	271.2 lbs. / 123 kgs.	230.4 lbs. / 104.5 kgs.
Packaging Dimensions	39" x 36.2" x 65.7" 990 x 920 x 1670mm	30.5" x 35.4" x 61" 775 x 900 x 1550mm
Packaging Weight	315.3 lbs. / 143 kgs.	269 lbs. / 122 kgs.
Item Number	47514	47515

Operation

BEFORE USE

- Plug refrigerator into the 110V exclusive socket.
- After the refrigerator is running, confirm that air suction/filtration is in working order and that it is sufficiently cold. After checking to make sure the refrigerator is working properly, it may be used.

DIGITAL TEMPERATURE CONTROLLER



FEATURES OF FUNCTION

- Small, integrated digital controller, which is applicable to the compressor of 1 Hp. Located behind the front grill.
- Main functions are: Temperature Display/Temperature Control/Manual-Automatic /Light Control/Value Storing/Self-Testing/Parameter Locking.

FRONT PANEL OPERATION

1. Set temperature: Press **SET** button; set temperature will be displayed. Press **▲** or **▼** button to modify and store the displayed value. Press **SET** button to exit the adjustment and display the cold-room temperature.
2. If no button is pressed within 10 seconds, the cold-room temperature will be displayed.
3. Lighting: Press **☹** button to activate light in refrigerator; press again to turn off. Manual start/stop defrost: Press **☹** button and hold for 6 seconds to either defrost or to stop defrost.
4. Refrigeration LED: During refrigeration, the LED is on. When the cold room temperature is constant, the LED is off. During delay start, the LED flashes.
5. Defrost LED: During defrosting, the LED is on. When it stops defrosting, the LED is off. During the delay of defrost, the LED flashed.

Maintenance

CABINET CLEANING

The product should be cleaned once a week with the power supply disconnected. When cleaning please use a mild cleansing agent. Only use a damp cloth.

CLEANING THE FILTER

When message “EE4” appears on the display, please clean the filter immediately. If the error message still appears after cleaning the filter, please contact Omcan.

INSTRUCTIONS FOR CLEANING THE FILTER

1. Remove the four screws from the top of the front grill.
2. Pull out the front grill.
3. Take out the filter.

CHECK FOR LEAKS

Observe all connectors and welding joints for oil stains. This indicates that there is a leak, please call Omcan if you notice any oil stains.

ALWAYS OBSERVE THE OPERATION OF THE UNIT, IN THE EVENT OF ANY ABNORMAL SOUNDS OR SMELLS, OR IF THE UNIT BEGINS TO SMOKE, DISCONNECT THE UNIT FROM THE POWER

Maintenance

SUPPLY AND CALL OMCAN.

Troubleshooting

Trouble	Causes	Solutions
Strange noise under the bottom shelf.	Fan blade broken.	Power off and fix the blade.
Non-refrigerating in spite of normal operation.	Unit off.	Power on.
	Melting process.	Stop melting.
	Refrigerant leaking.	Patch the leak and refill refrigerant.
	Unit failure.	Call Omcan.
Weak air from air curtain, and higher cabinet temperature.	Evaporator blocked by frost.	Increase melting frequency.
	Inside fan damaged.	Replace the fan.
	Too low point of temperature controller.	Adjust the set point.
	Vent blocked by storage.	Remove the storage.
Normal air curtain, but higher cabinet temperature.	Insufficient refrigerant.	Refill the refrigerant.
	Too high set point of temperature controllers.	Adjust the set point for the temperature controller.
	The wind curtain disturbed by strong air flow.	Removing the disturbing factors.
	Ambient temperature or humidity beyond standards.	Improve the conditions.
Melting water overflows.	Heating pipe for melting water damaged.	Replace the heating pipe.
	Water level controller failure.	Replace the water level controller.
	Ambient temperature or humidity beyond standards.	Improve the conditions.
Normal air curtain, but periodical fluctuation of cabinet temperature.	Condenser contaminated.	Clean the condenser.
	Poor venting of the unit.	Improve the venting conditions.
	Heat protection of compressor failure.	Replace the heat protection.
	Capillary is blocked by ice.	Replace the drying filter.
	Temperature controller failure.	Replace the temperature controller.

Troubleshooting

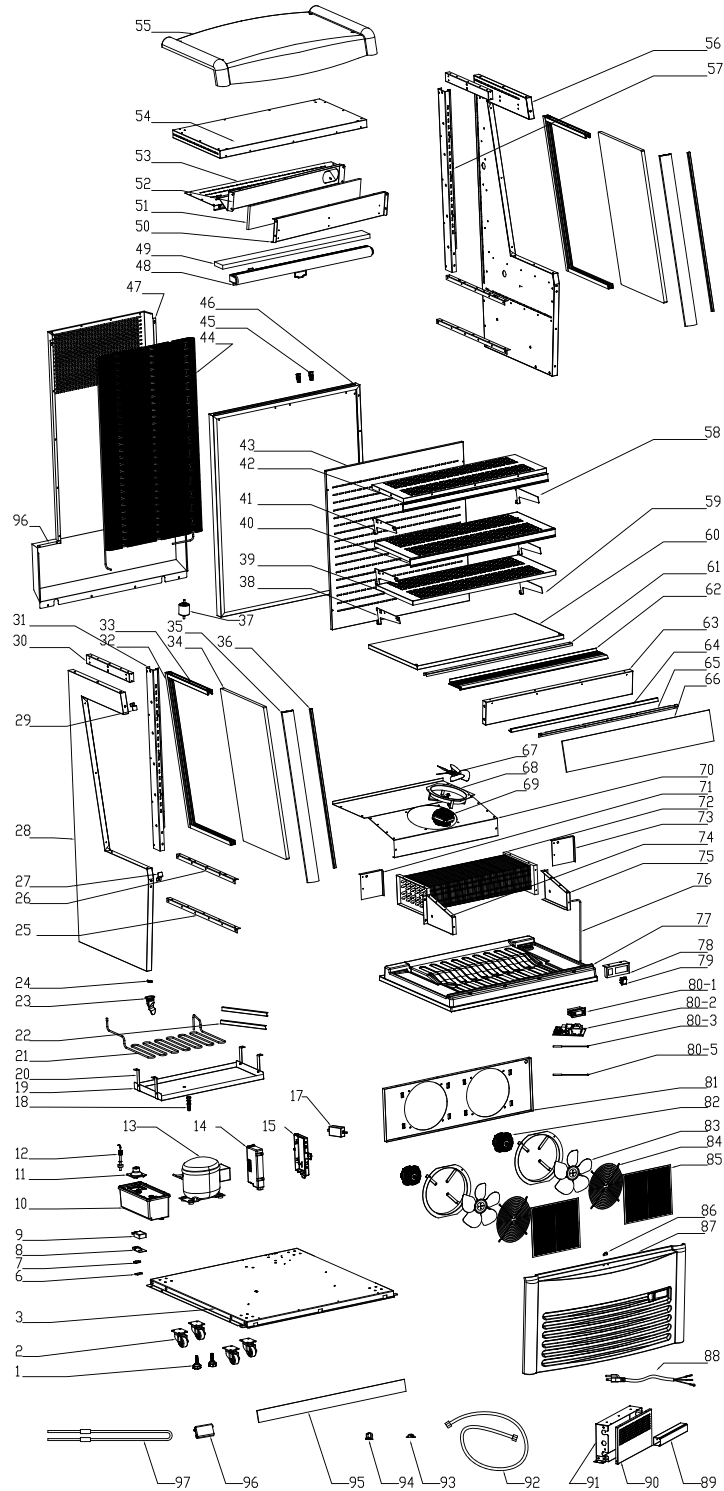
NOTE

Following occurrences are not problems:

- The murmur of water is heard when the refrigerator is working. It is a normal occurrence as the coolant is circulating in the system.
- When the weather is damp, condensation might be found on the outside of the refrigerator. It is caused by high humidity. Simply use cloth to wipe it off.

Parts Breakdown

Model RS-CN-0390 47514



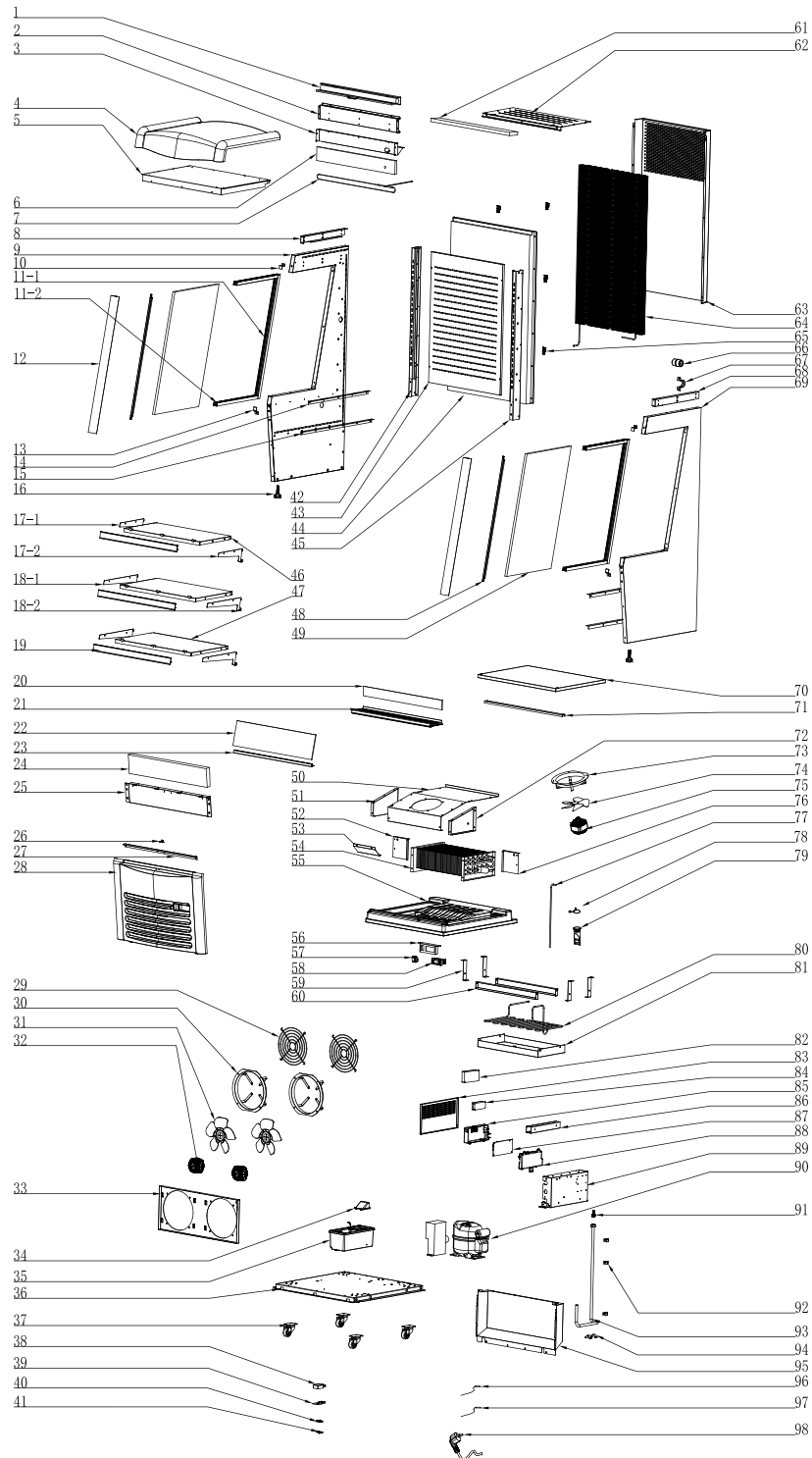
Parts Breakdown

Model RS-CN-0390 47514

Item No.	Description	Position	Item No.	Description	Position	Item No.	Description	Position
60672	Feet for 47514	1	61224	Dry Filter for 47514	37	61182	Evaporator Cover for 47514	70
60561	Rear Wheels for 47514	2	61195	Bottom Left Shelf Bracket for 47514	38	68445	Left Wind Screen of Evaporator for 47514	71
68404	Base Board for 47514	3	68417	Bottom Shelf for 47514	39	61181	Evaporator for 47514	72
61246	Wire Clip Holder for 47514	6	68418	Price Tag Holder for 47514	40	68446	Right Wind Screen of Evaporator for 47514	73
66095	Wire Clip Cover for 47514	7	61198	Top Left Shelf Bracket for 47514	41	71521	Left Board of Evaporator Cover for 47514	74
61244	Junction Box for 47514	8	68419	Upper Shelf for 47514	42	61180	Right Board of Evaporator Cover for 47514	75
79359	Cover of Junction Box for 47514	9	68420	Ventilated Board for 47514	43	68452	Connection Pipe for 47514	76
60587	Water Receiver for 47514	10	68421	Condenser for 47514	44	68453	Base Foam of Evaporator for 47514	77
79304	Pipe for Evaporated Water for 47514	11	61222	Stands for Condenser for 47514	45	AL327	Holder for Digital Display for 47514	78
AL304	Water Level Detector for 47514	12	AL316	Foam of Back Cover for 47514	46	71514	Switch for 47514	79
AL305	Compressor for 47514	13	68423	Condenser Cover for 47514	47	AL328	Display for 47514	80-1
60594	Cover of Circuit Board Box for 47514	14	68424	Night Curtain for 47514	48	AF546	Main Circuit Board for 47514	80-2
61167	Circuit Board Box for 47514	15	68425	Honeycomb Panel for 47514	49	68333	Over-Heating Sensor for 47514	80-3
AD552	LED Transformer for 47514	17	AL317	Board Ahead Curtain for 47514	50	60666	Temperature Probe for 47514	80-5
AL306	Water Nozzle for 47514	18	AL318	PE Cotton for 47514	51	68447	Holder for Condenser Motor for 47514	81
AL307	Tray of Heater for 47514	19	AL319	Sneakers for 47514	52	AL329	Condenser Fan Motor for 47514	82
61239	Bracket of Water Receiver for 47514	20	68427	Ceiling Board of Cabinet for 47514	53	60933	Fan Blade of Condenser for 47514	83
AL308	Heater for 47514	21	AL320	Foam of Top Cover for 47514	54	AL330	Flat Net Cover for 47514	84
61237	Platen of Heater for 47514	22	AL321	Top Cover Decorating for 47514	55	61169	Air Filter for 47514	85
AL309	Drain Pipe for 47514	23	AL322	Foam of Right Board for 47514	56	60651	Curtain Hook for 47514	86
68368	Snap Ring for 47514	24	68431	Right Support Pillar of Shelf for 47514	57	AL331	Front Base Panel for 47514	87
68407	Connector of Evaporator Base Panel for 47514	25	61199	Top Right Shelf Bracket for 47514	58	79290	Power Cord for 47514	88
68408	Support for Upper Cover of Base for 47514	26	61196	Bottom Right Shelf Bracket for 47514	59	60590	PVC Trucking for 47514	89
AL310	Bottom Depressor of Pillar for 47514	27	68441	Bottom Board of Cabinet for 47514	60	67642	Cover of Terminal Box for 47514	90
AL311	Foam of Left Side Board for 47514	28	68442	Air Inlet Stand for 47514	61	67643	Terminal Box for 47514	91
AL312	Upper Depressor of Pillar for 47514	29	68443	Air Inlet Cover for 47514	62	60668	Drain Pipe for 47514	92
68410	Support for Ceiling for 47514	30	68444	Front Board for Evaporator for 47514	63	60669	Pipe Clamp for 47514	93
68411	Left Support Pillar of Shelf for 47514	31	AL323	Wind Screen Strip for 47514	64	60670	PPR Pipe Clamp for 47514	94
AL313	Back Strip for Side Glass for 47514	32	AL324	Retaining Plate for Front Base Panel for 47514	65	68450	Glass Guard for 47514	95
AL314	Top/Bottom Strip for Side Glass for 47514	33	AL325	Glass Deflector for 47514	66	AL332	Switching Power Supply for 47514	96
68414	Side Glass for 47514	34	66351	Fan Blade for 47514	67	AL333	Heating Line for 47514	97
AL315	Front Pillar of Side Glass for 47514	35	60932	Flange for 47514	68			
68416	LED Strip for 47514	36	AL326	Evaporator Fan Motor for 47514	69			

Parts Breakdown

Model RS-CN-0260 47515



Parts Breakdown

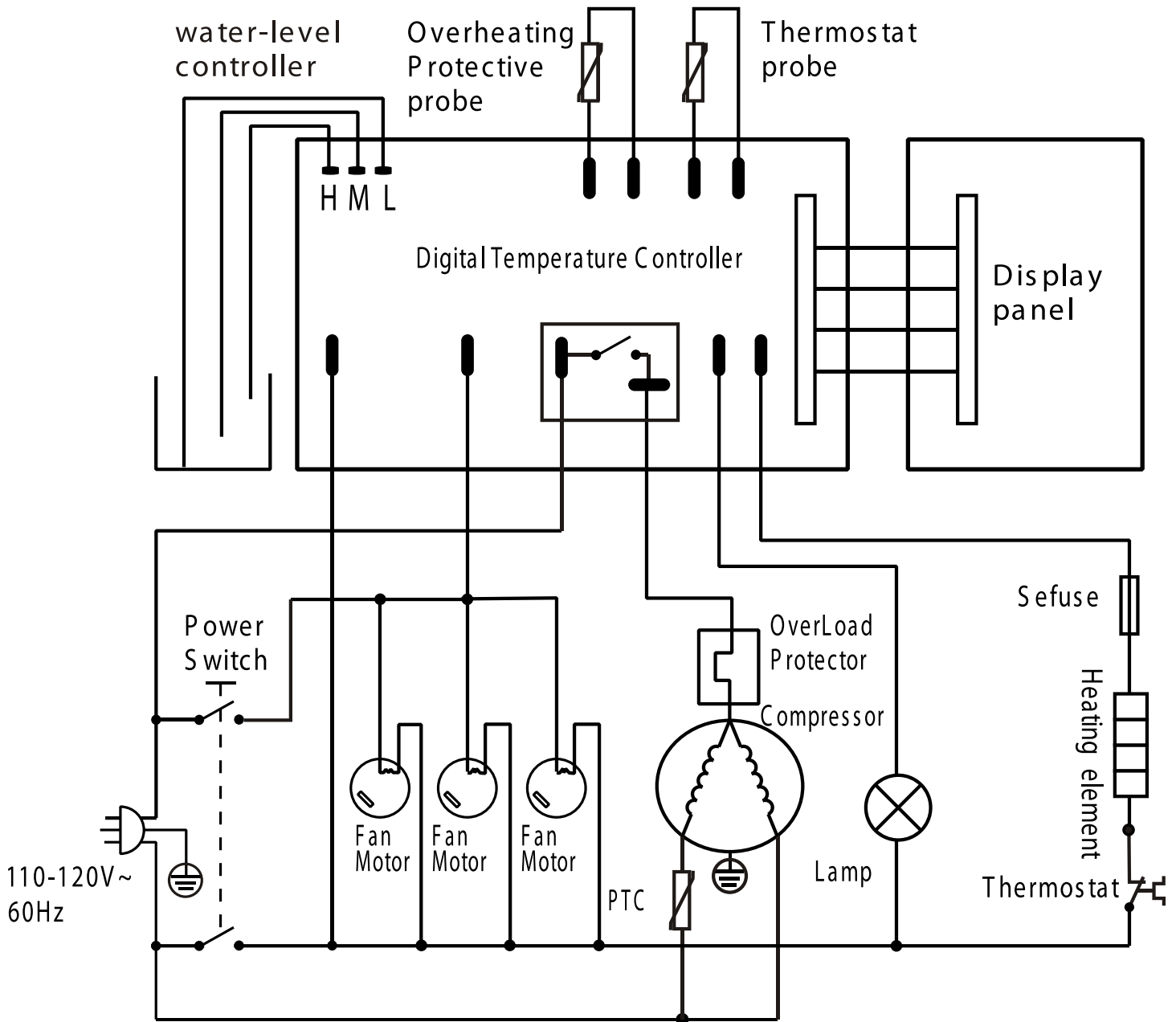
Model RS-CN-0260 47515

Item No.	Description	Position	Item No.	Description	Position	Item No.	Description	Position
AL334	Night Curtain for 47515	1	AG596	Evaporator Fan Motor 110V for 47515	32	61224	Dry Filter for 47515	66
AL335	Board Ahead Curtain for 47515	2	AL354	Holder for Condenser Motor for 47515	33	68302	Pressing Plate of Dry Filter for 47515	67
AL336	Air Pressure Plate for 47515	3	AL355	Water Evaporation Port for 47515	34	AL371	Right Support of Indoor Roof for 47515	68
AL337	Top Cover Decorating for 47515	4	60587	Water Receiver for 47515	35	AL322	Foam of Right Board for 47515	69
AL338	Foam of Top Cover for 47515	5	AL356	Base Plate for 47515	36	AL372	Bottom Board of Cabinet for 47515	70
AL318	PE Cotton for 47515	6	AL357	Castor for 47515	37	AL373	Air Inlet Stand for 47515	71
AL339	Hotline for 47515	7	79359	Cover of Junction Box for 47515	38	68334	Right Fixed Plate of Evaporator Motor for 47515	72
AL340	Left Support of Indoor Roof for 47515	8	61244	Junction Box for 47515	39	60641	Fan Guard for 47515	73
AL311	Foam of Left Side Board for 47515	9	61245	Wire Clip Cover for 47515	40	60640	Fan Blade for 47515	74
AL312	Upper Depressor of Pillar for 47515	10	61246	Wire Clip Holder for 47515	41	AL374	Evaporator Fan Motor for 47515	75
AL313	Back Strip for Side Glass for 47515	11-1	68411	Left Support Pillar of Shelf for 47515	42	68446	Right Wind Screen of Evaporator for 47515	76
AL314	Top/Bottom Strip for Side Glass for 47515	11-2	AL358	Ventilated Board for 47515	43	AL375	Connecting Pipe for 47515	77
AL315	Front Pillar of Side Glass for 47515	12	AL359	Foam of Back Cover for 47515	44	AL376	Pipe Clip for 47515	78
AL310	Bottom Depressor of Pillar for 47515	13	68431	Right Support Pillar of Shelf for 47515	45	AL309	Drain Pipe for 47515	79
68408	Support for Upper Cover of Base for 47515	14	AL360	Upper Shelf for 47515	46	AL377	High Pressure Evaporated Copper Tube for 47515	80
68407	Connector of Evaporator Base Panel for 47515	15	AL361	Bottom Shelf for 47515	47	AL378	Tray of Heater for 47515	81
60672	Feet for 47515	16	AL362	LED Light for 47515	48	AK999	LED Power for 47515	82
AL341	Left Support Pillar of Shelf for 47515	17-1	68414	Side Glass for 47515	49	67642	Cover of Terminal Box for 47515	83
AL342	Right Support Pillar of Shelf for 47515	17-2	AL363	Evaporator Cover for 47515	50	AD552	LED Transformer for 47515	84
AL343	Left Support Pillar of Shelf for 47515	18-1	68309	Right Fixed Plate of Evaporator Motor for 47515	51	60594	Cover of Circuit Board Box for 47515	85
AL344	Right Support Pillar of Shelf for 47515	18-2	68445	Left Wind Screen of Evaporator for 47515	52	60590	PVC Trucking for 47515	86
AL345	Price Tag Holder for 47515	19	AL364	Condenser Motor Support Baffle for 47515	53	AF546	Main Circuit Board for 47515	87
AL346	Air Inlet Baffle Glass for 47515	20	AL365	Evaporator for 47515	54	61167	Circuit Board Box for 47515	88
AL347	Air Inlet Cover for 47515	21	AL366	Base Foam of Evaporator for 47515	55	67643	Terminal Box for 47515	89
AL348	Glass Deflector for 47515	22	AL327	Holder for Digital Display for 47515	56	AL305	Compressor for 47515	90
AL349	Wind Screen Strip for 47515	23	71514	Switch for 47515	57	68398	Copper Connection for 47515	91
AL350	Evaporator Front Plate PE Cotton for 47515	24	67648	Temperature Display for 47515	58	60670	PPR Pipe Clamp for 47515	92
AL351	Front Board for Evaporator for 47515	25	61239	Bracket of Water Receiver for 47515	59	60668	Drain Pipe for 47515	93
60651	Curtain Hook for 47515	26	AL367	Platen of Heater for 47515	60	60669	Pipe Clamp for 47515	94
AL352	Retaining Plate for Front Base Panel for 47515	27	AL368	Honeycomb Panel for 47515	61	AL379	Base Rear Cover for 47515	95
AL353	Front Base Panel for 47515	28	AL369	Ceiling Board of Cabinet for 47515	62	60666	Temperature Probe for 47515	96
AD519	Flat Net Cover for 47515	29	68423	Condenser Cover for 47515	63	68333	Over-Heating Sensor for 47515	97
60932	Flange for 47515	30	AL370	Condenser for 47515	64	79290	Power Cord for 47515	98
60933	Fan Blade of Condenser for 47515	31	61222	Stands for Condenser for 47515	65			

Electrical Schematics

Model RS-CN-0390 47514

Model RS-CN-0260 47515





Warranty Registration

Thank you for purchasing an Omcan product. To register your warranty for this product, complete the information below, tear off the card at the perforation and then send to the address specified below. You can also register online by visiting:

Merci d'avoir acheté un produit Omcan. Pour enregistrer votre garantie pour ce produit, complétez les informations ci-dessous, détachez la carte au niveau de la perforation, puis l'envoyer à l'adresse spécifiée ci-dessous. Vous pouvez également vous inscrire en ligne en visitant:

Gracias por comprar un producto Omcan usted. Para registrar su garantía para este producto, complete la información a continuación, cortar la tarjeta en la perforación y luego enviarlo a la dirección indicada a continuación. También puede registrarse en línea en:

<https://omcan.com/warranty-registration/>

For mailing in Canada

Pour postale au Canada

Por correo en Canadá

OMCAN

PRODUCT WARRANTY REGISTRATION

3115 Pepper Mill Court,

Mississauga, Ontario

Canada, L5L 4X5

For mailing in the US

Pour diffusion aux États-Unis

Por correo en los EE.UU.

OMCAN

PRODUCT WARRANTY REGISTRATION

4450 Witmer Industrial Estates, Unit 4,

Niagara Falls, New York

USA, 14305

or email to: service@omcan.com



Purchaser's Information

Name: _____

Address: _____

City: _____ Province or State: _____ Postal or Zip: _____

Country: _____

Dealer from which Purchased: _____

Dealer City: _____ Dealer Province or State: _____

Invoice: _____

Model Name: _____ Model Number: _____

Machine Description: _____

Date of Purchase (MM/DD/YYYY): _____

Would you like to extend the warranty? Yes No

Company Name: _____

Telephone: _____

Email Address: _____

Type of Company:

Restaurant Bakery Deli

Butcher Supermarket Caterer

Institution (specify): _____

Other (specify): _____

Serial Number: _____

Date of Installation (MM/DD/YYYY): _____

Thank you for choosing Omcan | Merci d'avoir choisi Omcan | Gracias por elegir Omcan



Since 1951 Omcan has grown to become a leading distributor of equipment and supplies to the North American food service industry. Our success over these many years can be attributed to our commitment to strengthen and develop new and existing relationships with our valued customers and manufacturers. Today with partners in North America, Europe, Asia and South America, we continually work to improve and grow the company. We strive to offer customers exceptional value through our qualified local sales and service representatives who provide convenient access to over 6,500 globally sourced products.

Depuis 1951 Omcan a grandi pour devenir un des “leaders” de la distribution des équipements et matériel pour l’industrie des services alimentaires en Amérique du Nord. Notre succès au cours de ces nombreuses années peut être attribué à notre engagement à renforcer et à développer de nouvelles et existantes relations avec nos clients et les fabricants de valeur. Aujourd’hui avec des partenaires en Amérique du Nord, Europe, Asie et Amérique du Sud, nous travaillons continuellement à améliorer et développer l’entreprise. Nous nous efforçons d’offrir à nos clients une valeur exceptionnelle grâce à nos ventes locales qualifiées et des représentants de service qui offrent un accès facile à plus de 6500 produits provenant du monde entier.

Desde 1951 Omcan ha crecido hasta convertirse en un líder en la distribución de equipos y suministros de alimentos en América del Norte industria de servicios. Nuestro éxito en estos años se puede atribuir a nuestro compromiso de fortalecer y desarrollar nuevas relaciones existentes con nuestros valiosos clientes y fabricantes. Hoy con socios de América del Norte, Europa, Asia y América del Sur, que trabajan continuamente para mejorar y crecer la empresa. Nos esforzamos por ofrecer a nuestros clientes valor excepcional a través de nuestro local de ventas y representantes de los servicios que proporcionan un fácil acceso a más de 6,500 productos con origen a nivel mundial.

